

# CONNECTOR MANUFACTURERS

**TOPTek®**  
HARDWARE ELECTRONIC MANUFACTURER

www.toptek-co.com

Ø 22 mm

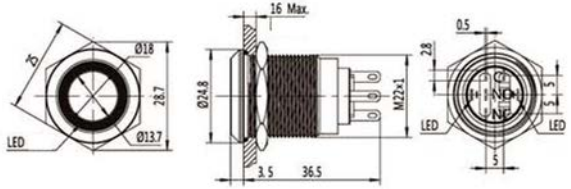
## I-TOP-S1-22F-E



Diameter: Ø 22mm  
Color: R, G, Y, O, B, W  
Switch Rating: 5A/250VAC  
Contact Configuration:  
1NO 1NC/2NO 2NC  
Operation Type:

- Momentary
- Maintained(Z)

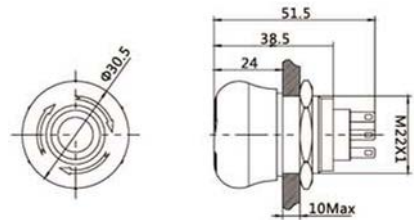
The Front Shape: Flat  
Lamp type: Ring illuminated (LED)  
The Crust Material: Stainless steel  
IP Degree: IP67, IK10



## I-TOP-S1-22B-SR



Diameter: Ø 22mm  
Color: R, G, Y, O, B, W  
Switch Rating: 5A/250VAC  
Contact Configuration: 1NO 1NC  
Operation Type: Push-Lock Turn-reset  
The Front Shape: Ball  
Light way: Arrow  
The Crust Material: Stainless steel  
IP Degree: IP65, IK10



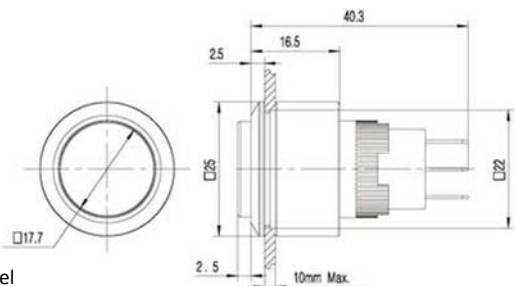
## I-TOP-S1-AWY



Diameter: Ø 22mm  
Switch Rating: 5A/250VAC  
Contact Configuration:  
1NO 1NC /2NO 2NC  
Operation Type:

- Momentary
- Maintained(Z)

The Front Shape: Flat  
The Crust Material: Stainless steel  
IP Degree: IP67, IK10



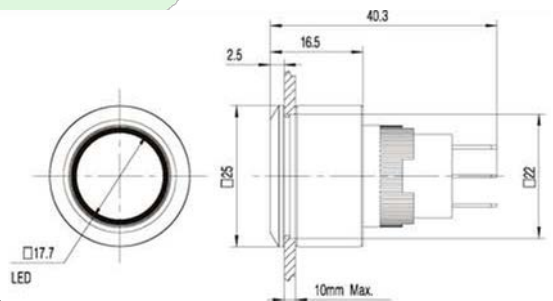
## I-TOP-S1-AWX



Diameter: Ø 22mm  
Color: R, G, Y, O, B, W  
Switch Rating: 5A/250VAC  
Contact Configuration:  
1NO 1NC /2NO 2NC  
Operation Type:

- Momentary
- Maintained(Z)

Lamp type: Flat illuminated (LED)  
The Front Shape: Flat  
The Crust Material: Stainless steel  
IP Degree: IP67, IK10



14  
\*  
58

Anti-vandal Switch

Pb

ROHS